

284743-1 ✓ ACTIVE

AMP | MQS

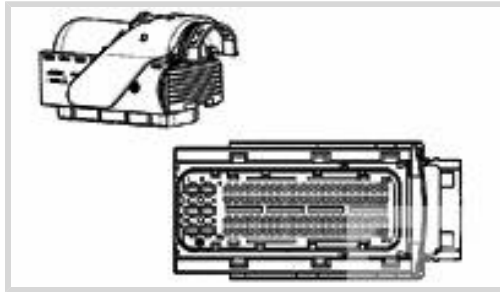
TE Internal #: 284743-1

Housing for Female Terminals, Wire-to-Board, 94 Position, .118 in / .205 in [3 mm / 5.2 mm] Centerline, Sealable, Black, Wire & Cable, MQS

[View on TE.com >](#)



Connectors > Automotive Connectors > Connector Housings > MQS, CONNECTOR HOUSING



Connector & Housing Type: **Housing for Female Terminals**

Mating Tab Width: **.63 mm, 2.8 mm [ .025 in, .11 in ]**

Connector System: **Wire-to-Board**

Number of Positions: **94**

Centerline (Pitch): **3 mm, 5.2 mm [ .118 in, .205 in ]**

[All MQS, CONNECTOR HOUSING \(557\)](#)

## Features

### Product Type Features

Connector Shape	Rectangular
Connector & Housing Type	Housing for Female Terminals
Connector System	Wire-to-Board
Sealable	Yes
Hybrid Connector	Yes
Primary Locking Feature	Integrated in Housing
Connector & Contact Terminates To	Wire & Cable

### Configuration Features

Number of Positions	94
Number of Rows	4

### Electrical Characteristics

Operating Voltage	24 VDC
Nominal Voltage Architecture	12 V, 24 V

### Body Features

Cable Exit Angle	90°
Body Material	PA GF
Primary Product Color	Black



### Contact Features

Contact Size	.64mm, 1.5mm, 2.8K
Contact Type	Receptacle
Mating Tab Width	.63 mm, 2.8 mm [.025 in][.11 in]
Contact Current Rating (Max)	3.5 A, 6 A, 7.5 A, 11 A, 14 A, 20 A

### Mechanical Attachment

Mounting Feature	Without
Terminal Position Assurance	Yes
Strain Relief	Without
Mating Alignment Type	Polarization Slot
Mating Alignment	With
Connector Mounting Type	Cable Mount (Free-Hanging)

### Housing Features

Centerline (Pitch)	3 mm, 5.2 mm [.118 in][.205 in]
--------------------	---------------------------------

### Dimensions

Product Width	46 mm [1.811 in]
Product Length	97 mm [3.819 in]
Product Height	74.3 mm [2.925 in]
Row-to-Row Spacing	5 mm [.197 in]

### Usage Conditions

Operating Temperature (Max)	70 °C, 75 °C, 80 °C, 85 °C, 90 °C, 100 °C, 105 °C, 110 °C, 120 °C, 125 °C [158 °F][167 °F][176 °F][185 °F][194 °F][212 °F][221 °F][230 °F][248 °F][257 °F]
Operating Temperature Range	-40 – 125 °C [-40 – 257 °F]

### Operation/Application

Circuit Application	Power & Signal
---------------------	----------------

### Packaging Features

Packaging Method	Box
------------------	-----

### Other

Serviceable	Yes
Connector Position Assurance Capable	Yes

## Product Compliance



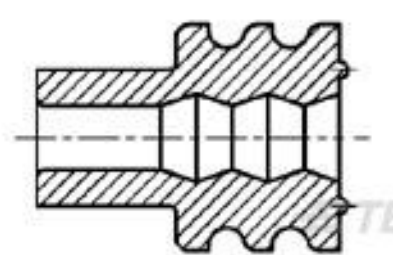
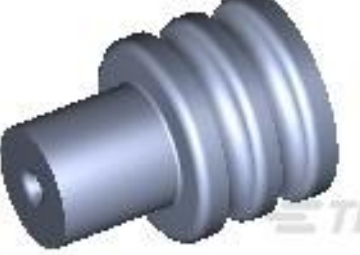
[For compliance documentation, visit the product page on TE.com>](#)

EU RoHS Directive 2011/65/EU	Compliant
EU ELV Directive 2000/53/EC	Compliant
China RoHS 2 Directive MIIT Order No 32, 2016	No Restricted Materials Above Threshold
EU REACH Regulation (EC) No. 1907/2006	Current ECHA Candidate List: JUNE 2022 (224) Candidate List Declared Against: JUNE 2022 (224) Does not contain REACH SVHC
Halogen Content	BFR/CFR/PVC Free, but Br/Cl >900 ppm in other sources.
Solder Process Capability	Not applicable for solder process capability

### Product Compliance Disclaimer

This information is provided based on reasonable inquiry of our suppliers and represents our current actual knowledge based on the information they provided. This information is subject to change. The part numbers that TE has identified as EU RoHS compliant have a maximum concentration of 0.1% by weight in homogenous materials for lead, hexavalent chromium, mercury, PBB, PBDE, DBP, BBP, DEHP, DIBP, and 0.01% for cadmium, or qualify for an exemption to these limits as defined in the Annexes of Directive 2011/65/EU (RoHS2). Finished electrical and electronic equipment products will be CE marked as required by Directive 2011/65/EU. Components may not be CE marked. Additionally, the part numbers that TE has identified as EU ELV compliant have a maximum concentration of 0.1% by weight in homogenous materials for lead, hexavalent chromium, and mercury, and 0.01% for cadmium, or qualify for an exemption to these limits as defined in the Annexes of Directive 2000/53/EC (ELV). Regarding the REACH Regulation, the information TE provides on SVHC in articles for this part number is based on the latest European Chemicals Agency (ECHA) 'Guidance on requirements for substances in articles' posted at this URL: <https://echa.europa.eu/guidance-documents/guidance-on-reach>

## Compatible Parts

 <p>TE Part # 828922-1 2,5MM CAVITY PLUG FOR 5,4MM DI</p>	 <p>TE Part # 963293-1 SEALING F JPT+2,8</p>	 <p>TE Part # 963292-1 WIRE SEALING 2,2</p>	 <p>TE Part # 963294-1 SINGLE WIRE SEAL INSULATION DI</p>
--	---	--	--



TE Part # CAT-AM705-T273  
AMP MCP, RECEPTACLE AND TAB



TE Part # CAT-M8793-T273  
MQS, RECEPTACLE AND TAB



TE Part # 1394872-1  
SEALING PLUG 1,5MM



TE Part # 284583-1  
CAVITY PLUG FOR 64 POS CONNECT



TE Part # 5-284871-2  
MULTIPLE CAVITY MASK FOR 94 POS. CONN.



TE Part # 5-284871-3  
94POS, MQS CB, CAVITY BLOCK, COLOR BLACK



TE Part # 2-284871-5  
MULTIPLE CAVITY PLUG 94W



TE Part # 2-284871-7  
MULTIPLE CAVITY MASK FOR 94 POS. CONN.



TE Part # 2-284871-9  
MULTIPLE CAVITY MASK FOR 94 POS. CONN.



TE Part # 5-284871-0  
94POS, MQS CB, CAVITY BLOCK, COLOR BLUE



TE Part # 5-284871-1  
94POS, MQS CB, CAVITY BLOCK, COLOR BLACK



TE Part # 1-284871-2  
MULTIPLE CAVITY PLUG 94W



TE Part # 284871-3  
MULTIPLE CAVITY PLUG 94W

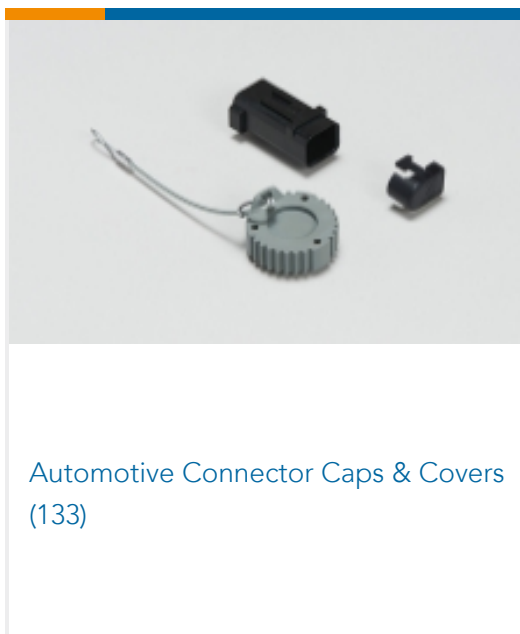


TE Part # 284871-6  
MULTIPLE CAVITY MASK 94 WAYS

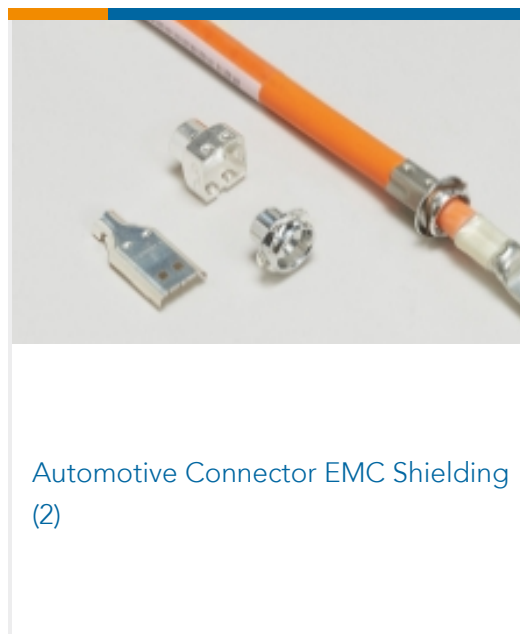


TE Part # 3-284871-2  
MULTIPLE CAVITY MASK FOR 94 POS. CONN.

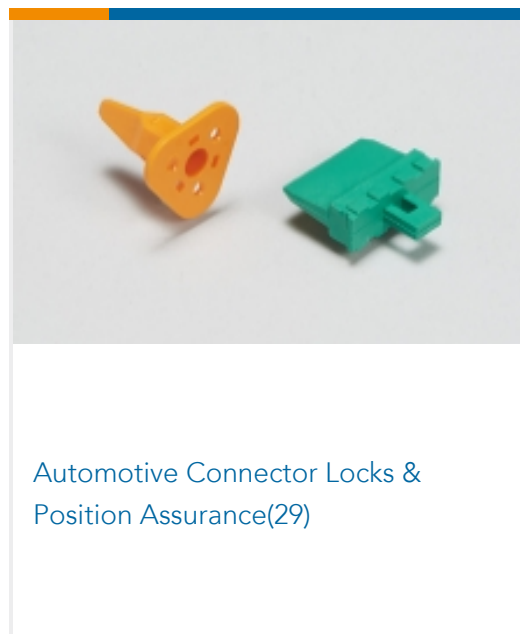
Also in the Series | **MQS**



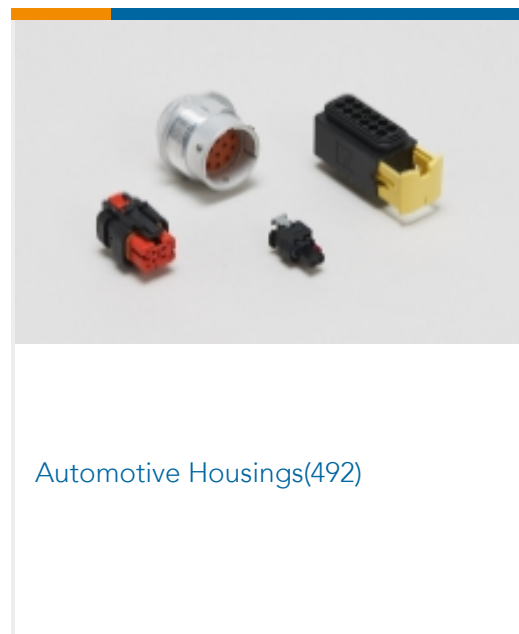
Automotive Connector Caps & Covers (133)



Automotive Connector EMC Shielding (2)



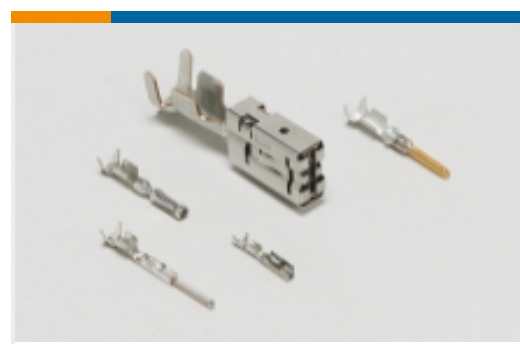
Automotive Connector Locks & Position Assurance(29)



Automotive Housings(492)



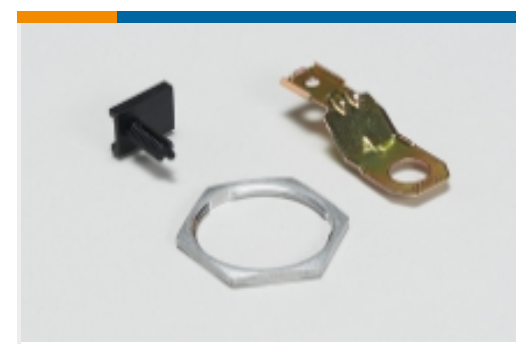
Automotive Seals &amp; Cavity Plugs(26)



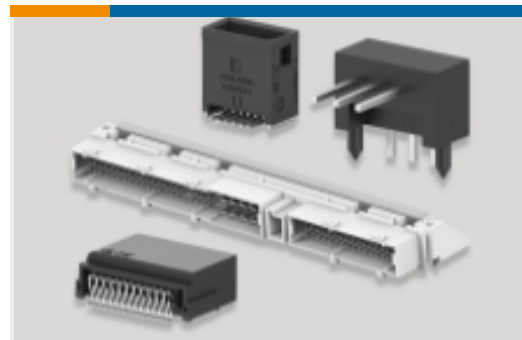
Automotive Terminals(96)



Insertion &amp; Extraction Tools(42)



Other Automotive Connector Accessories(13)



PCB Headers &amp; Receptacles(209)

## Documents

### Product Drawings

#### 94POS MIXED MQS REC SEALED

English

### CAD Files

#### Customer View Model

[ENG\\_CVM\\_CVM\\_284743-1\\_E.2d\\_dxf.zip](#)

English

#### 3D PDF

3D

#### Customer View Model

[ENG\\_CVM\\_CVM\\_284743-1\\_E.3d\\_igs.zip](#)

English

#### Customer View Model

[ENG\\_CVM\\_CVM\\_284743-1\\_E.3d\\_stp.zip](#)

English

By downloading the CAD file I accept and agree to the [Terms and Conditions](#) of use.

### Datasheets & Catalog Pages

#### Micro Quadlok Interconnection System (MQS)

English

### Product Specifications

#### Product Specification

English

### Product Environmental Compliance

#### Product Compliance



English

[Product Compliance](#)

English

---

[Instruction Sheets](#)

[Instruction Sheet \(non U.S.\)](#)

English